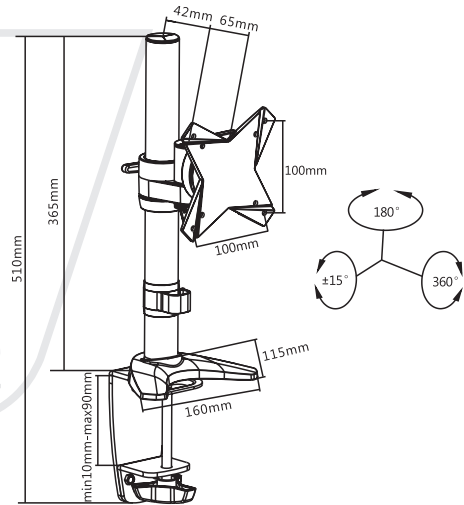


SH02 C01

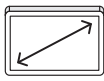
Monitor Desk Mount For LCD/LED Monitors



- Focal Distance
- Monitor Angle
- Monitor Height



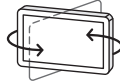
Weight Capacity
8kg/17.6lbs



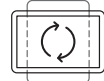
Screen Size
13"-27"



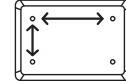
Tilt Range
+15°--15°



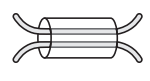
Swivel Range
+90°--90°



Screen Rotation
+180°--180°



VESA Compatible
75x75 100x100



Cable Management



Vertical Height Adjustable
for an optimal viewing experience.



Screen Swiveling
allows effortless adjustments.



Cable Management
for an organized and neat workspace.



Clamp & Grommet Mounts Included
mounts to most any style desktop.